

thecarversite.com

This manual is either an original scan from tech's who worked at Carver corp, donated by forum members, or both. These manuals are NOT intended for re-sale. If you purchased a 'Carver Manuals' disc on ebay or another auction site, and it has this material on it, you were ripped off!

Please report any resale of this material to us at thecarversite.com

thecarversite.com

CARVER

Powerful · Musical · Accurate



Carver Compact Disc Player DTL-200MK2
User's Manual

SAFETY INSTRUCTIONS

READ BEFORE OPERATING EQUIPMENT

This product was designed and manufactured to meet strict quality and safety standards. There are, however, some installation and operation precautions which you should be particularly aware of.

1. **Read Instructions** – All the safety and operating instructions should be read before the appliance is operated.
2. **Retain Instructions** – The safety and operating instructions should be retained for future reference.
3. **Heed Warnings** – All warnings on the appliance and in the operating instructions should be adhered to.
4. **Follow Instructions** – All operating and use instructions should be followed.
5. **Water and Moisture** – The appliance should not be used near water – for example, near a bathtub, washbowl, kitchen sink, laundry tub, in a wet basement, or near a swimming pool, and the like.
6. **Carts and Stands** – The appliance should be used only with a cart or stand that is recommended by the manufacturer.
7. **Wall or Ceiling Mounting** – The appliance should be mounted to a wall or ceiling only as recommended by the manufacturer.
8. **Ventilation** – The appliance should be situated so that its location or position does not interfere with its proper ventilation. For example, the appliance should not be situated on a bed, sofa, rug, or similar surface that may block the ventilation openings; or, placed in a built-in installation, such as a bookcase or cabinet that may impede the flow of air through the ventilation openings.
9. **Heat** – The appliance should be situated away from heat sources such as radiators, heat registers, stoves, or other appliances (including amplifiers) that produce heat.
10. **Power Sources** – The appliance should be connected to a power supply only of the type described in the operating instructions or as marked on the appliance.
11. **Grounding or Polarization** – The precautions that should be taken so that the grounding or polarization means of an appliance is not defeated.
12. **Power-Cord Protection** – Power-supply cords should be routed so that they are not likely to be walked on or pinched by items placed upon or against them, paying particular attention to cords at plugs, convenience receptacles, and the point where they exit from the appliance.
- 12A. **Protective Attachment Plug** – The appliance is equipped with an attachment plug having overload protection. This is a safety feature. See Instruction Manual for replacement or resetting of protective device. If replacement of the plug is required, be sure the service technician has used a replacement plug specified by the manufacturer that has the same overload protection as the original plug.
13. **Cleaning** – The appliance should be cleaned only as recommended by the manufacturer.
14. **Power Lines** – An outdoor antenna should be located away from power lines.
15. **Outdoor Antenna Grounding** – If an outside antenna is connected to the receiver, be sure the antenna system is grounded so as to provide some protection against voltage surges and built up static charges. Section 810 of the National Electrical Code, ANSI/NFPA No. 70 – 1984, provides information with respect to proper grounding of the mast and supporting structure, grounding of the lead-in wire to an antenna discharge unit, size of grounding conductors, location of antenna-discharge unit, connection to grounding electrodes, and requirements for the grounding electrode. See Figure S2898.

16. **Nonuse Periods** – The power cord of the appliance should be unplugged from the outlet when left unused for a long period of time.
17. **Object and Liquid Entry** – Care should be taken so that objects do not fall and liquids are not spilled into the enclosure through openings.
18. **Damage Requiring Service** – The appliance should be serviced by qualified service personnel when:
 - A. The power-supply cord or the plug has been damaged; or
 - B. Objects have fallen, or liquid has been spilled into the appliance; or
 - C. The appliance has been exposed to rain; or
 - D. The appliance does not appear to operate normally or exhibits a marked change in performance; or
 - E. The appliance has been dropped, or the enclosure damaged.
19. **Service** – The user should not attempt to service the appliance beyond that described in the operating instructions. All other servicing should be referred to qualified service personnel.

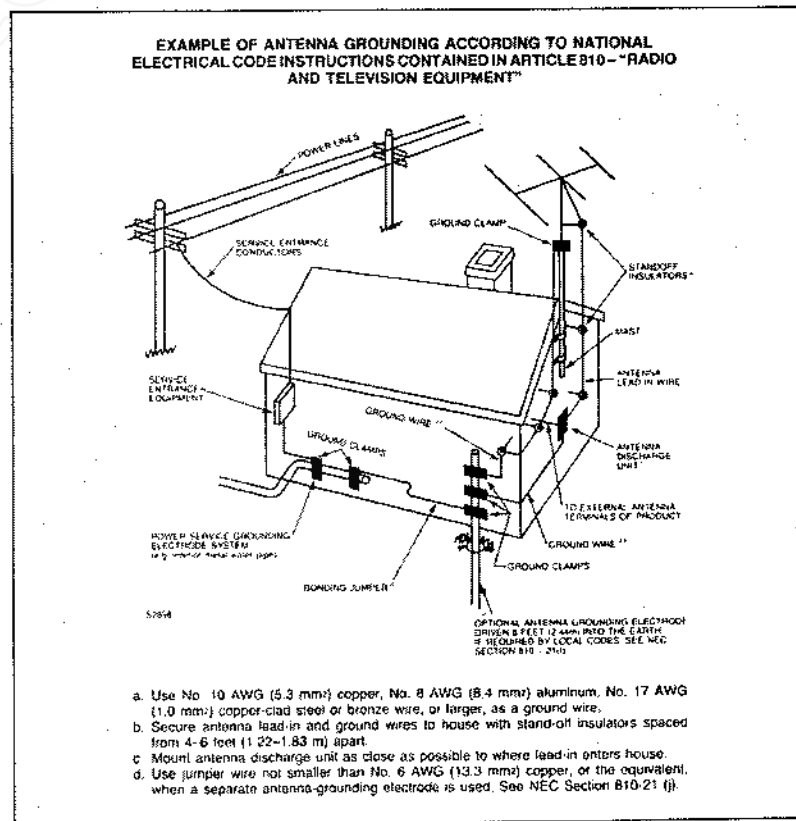


Fig. S2898.



CAUTION

**RISK OF ELECTRIC SHOCK
DO NOT OPEN**



**CAUTION: TO REDUCE THE RISK OF ELECTRIC SHOCK,
DO NOT REMOVE COVER (OR BACK)
NO USER-SERVICEABLE PARTS INSIDE
REFER SERVICING TO QUALIFIED SERVICE PERSONNEL**



The lightning flash with arrowhead symbol, within an equilateral triangle, is intended to alert the user of the presence of uninsulated "dangerous voltage" within the product's enclosure, that may be of sufficient magnitude to constitute a risk of electric shock to persons.



The exclamation point within an equilateral triangle is intended to alert the user of the presence of important operating and maintenance (servicing) instructions in the literature accompanying the appliance.

NOTE! TO CATV SYSTEM INSTALLER —

This reminder is provided to call the CATV system installer's attention to Article 820-22 of the NEC that provides guidelines for proper grounding and, in particular, specifies that the cable ground shall be connected to the grounding system of the building, as close to the point of cable entry as practical.

CAUTION:

TO PREVENT ELECTRIC SHOCK DO NOT USE THIS (POLARIZED) PLUG WITH AN EXTENSION CORD, RECEPTACLE OR OTHER OUTLET UNLESS THE BLADES CAN BE FULLY INSERTED TO PREVENT BLADE EXPOSURE.

ATTENTION:

POUR PREVENIR LES CHOCS ELECTRIQUES NE PAS UTILISER CETTE FICHE POLARISEE AVEC UN PROLONGATEUR, UNE PRISE DE COURANT OU UNE AUTRE SORTIE DE COURANT, SAUF SI LES LAMES PEUVENT ETRE INSEREES A FOND SANS EN LAISSER AUCUNE PARTIE A DECOUVERT.

TABLE OF CONTENTS

FCC	2
Unpacking & Setting Up	3
Getting To Know Your Carver Compact Disc Player	5
Playing a CD Disc	6
Music Search	6
Programmed Playback	7
About Digital Recording and CD's	8
The Carver Digital Time Lens	9
Handling Compact Discs	10
Troubleshooting	10
Specifications	10
Warranty	11

FCC NOTICE: THIS EQUIPMENT GENERATES AND USES RADIO FREQUENCY ENERGY AND IF NOT INSTALLED AND USED PROPERLY, THAT IS, IN STRICT ACCORDANCE WITH THE MANUFACTURER'S INSTRUCTIONS, MAY CAUSE INTERFERENCE TO RADIO AND TELEVISION RECEPTION. IT HAS BEEN TYPE TESTED AND FOUND TO COMPLY WITH THE LIMITS FOR A CLASS B COMPUTING DEVICE IN ACCORDANCE WITH THE SPECIFICATIONS IN SUBPART J OF PART 15 OF FCC RULES, WHICH ARE DESIGNED TO PROVIDE REASONABLE PROTECTION AGAINST SUCH INTERFERENCE IN A RESIDENTIAL INSTALLATION. HOWEVER, THERE IS NO GUARANTEE THAT INTERFERENCE WILL NOT OCCUR IN A PARTICULAR INSTALLATION. IF THIS EQUIPMENT DOES CAUSE INTERFERENCE TO RADIO OR TELEVISION RECEPTION, WHICH CAN BE DETERMINED BY TURNING THE EQUIPMENT OFF AND ON, THE USER IS ENCOURAGED TO TRY TO CORRECT THE INTERFERENCE BY ONE OR MORE OF THE FOLLOWING MEASURES:

REORIENT THE RECEIVING ANTENNA

RELOCATE THE COMPACT DISC PLAYER WITH RESPECT TO THE RECEIVER

MOVE THE COMPACT DISC PLAYER AWAY FROM THE RECEIVER

PLUG THE COMPACT DISC PLAYER INTO A DIFFERENT OUTLET SO THAT THE COMPACT DISC PLAYER AND RECEIVER ARE ON DIFFERENT BRANCH CIRCUITS.

IF NECESSARY, THE USER SHOULD CONSULT THE DEALER OR AN EXPERIENCED RADIO/TELEVISION TECHNICIAN FOR ADDITIONAL SUGGESTIONS. THE USER MAY FIND THE FOLLOWING BOOKLET PREPARED BY THE FEDERAL COMMUNICATIONS COMMISSION HELPFUL:

"HOW TO IDENTIFY AND RESOLVE RADIO-TV INTERFERENCE PROBLEMS".

THIS BOOKLET IS AVAILABLE FROM THE U.S. GOVERNMENT PRINTING OFFICE, WASHINGTON, DC 20404, STOCK NO. 004-000-00345-4.

CAUTION: THIS DIGITAL AUDIO DISC PLAYER CONTAINS A LASER SYSTEM AND IS CLASSIFIED AS A CLASS 1 LASER PRODUCT. TO USE THIS MODEL PROPERLY, READ THE OWNER'S MANUAL CAREFULLY AND KEEP IT FOR FURTHER REFERENCE. IN CASE OF ANY TROUBLE WITH THIS UNIT, PLEASE CONTACT AN AUTHORIZED CARVER SERVICE STATION. DO NOT TRY TO OPEN THE ENCLOSURE TO PREVENT BEING EXPOSED DIRECTLY TO THE LASER BEAM.

RADIO INTERFERENCE REGULATIONS: THIS APPARATUS HAS BEEN PRODUCED TO COMPLY WITH "DIRECTIVE NO. 776/889/EEC."

CAUTION: TO PREVENT SHOCK AND FIRE HAZARD, DO NOT EXPOSE THIS UNIT TO RAIN OR MOISTURE.

CAUTION: USE OF CONTROLS, ADJUSTMENTS, OR PERFORMANCE OF PROCEDURES OTHER THAN THOSE SPECIFIED HEREIN, MAY RESULT IN HAZARDOUS RADIATION EXPOSURE. THE COMPACT DISC PLAYER SHOULD NOT BE ADJUSTED OR REPAIRED BY ANYONE EXCEPT PROPERLY QUALIFIED SERVICE PERSONNEL.

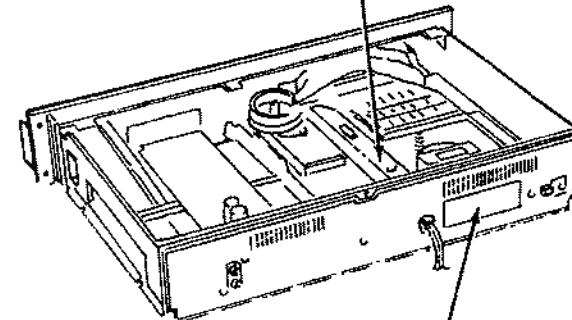
IMPORTANT:

Record the serial number of this CD player below. The numbers are on the rear panel.

SERIAL NO. _____

KEEP THESE NUMBERS FOR FUTURE USE.

DANGER: Invisible laser radiation when open and interlock failed or defeated.
AVOID DIRECT EXPOSURE TO BEAM.



THIS PRODUCT COMPLIES WITH
DHHS RULES 21 CFR SUBCHAPTER J
APPLICABLE AT DATE OF
MANUFACTURE.

Congratulations on purchasing a Carver Compact Disc Player, DTL-200MK2. You are about to enter the remarkable world of digital audio with its increased dynamics, frequency response and hiss-free performance.

You have chosen a first-quality CD player with triple laser scanning, true 16-bit sampling, and double resolution digital filter.

In addition, only your Carver Compact Disc Player DTL-200MK2 is equipped with the Carver Digital Time Lens circuitry which further improves digital audio playback on most compact discs.

Because this unit is not like any other type of stereo equipment you have ever added to your system, it is VERY IMPORTANT to follow all unpacking, hook-up and operation instructions. Be sure to keep this manual handy for reference.

We hope you enjoy a lifetime of musical enjoyment from your Carver Compact Disc Player.

CARVER

Powerful · Musical · Accurate

© Copyright 1986 All Rights Reserved
By CARVER CORPORATION

UNPACKING AND SETTING UP YOUR CARVER COMPACT DISC PLAYER DTL-200MK2

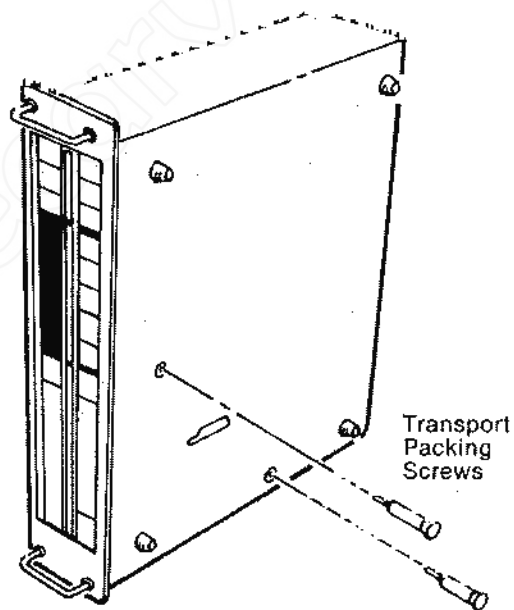
A. REMOVING TRANSPORT SCREWS

To protect the Carver Compact Disc Player DTL-200MK2 during transport, two red transport screws have been used to secure the delicate laser assembly.

These screws are attached to the **BOTTOM** of the DTL-200MK2.

THEY MUST BE REMOVED BEFORE ANY ATTEMPT IS MADE TO OPERATE THE UNIT!

1. Gently turn the Carver Compact Disc Player DTL-200MK2 on its **LEFT** side. Rest it on a soft non-abrasive surface if possible.
2. Locate the red transport screws near the front and left side of the unit.



3. Remove the screws using a Phillips head screwdriver.

4. Keep the red transport screws in a safe place so that they may be replaced before moving the unit.

5. Should you move, or need to ship the Carver Compact Disc Player DTL-200MK2 for service, replace the red transport screws using the same procedure. Make sure that there is no disc in the player before putting the screws back.

B. PLACEMENT OF THE DTL-200MK2

Naturally, you will wish to place your CD player with other stereo components. However, you should make sure of the following:

1. The Carver Compact Disc Player DTL-200MK2 should not be placed directly next to, or on top of your receiver or tuner.

To avoid possible interference, it is suggested that the DTL-200MK2 be positioned at least one component away when stacking or placing your equipment in a row on a shelf. Also avoid placing the DTL-200MK2 next to or on top of a television set or cable converter box.

2. Make sure that no other components are placed **ON TOP OF** the DTL-200MK2. Also avoid placing stacks of heavy records or a speaker on top of the unit.

3. As with all high-quality components, avoid placing the DTL-200MK2 in direct sunlight or where it will receive unnecessary hot air currents from an amplifier or heat outlet.

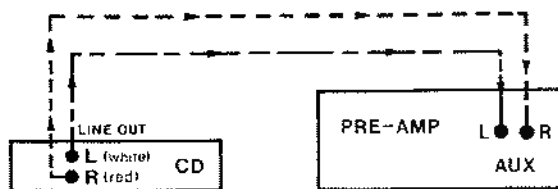
C. CONNECTING THE DTL-200MK2 INTO YOUR STEREO SYSTEM.

The Carver Compact Disc Player DTL-200MK2 is extremely simple to connect into your system, since it connects with one set of patch cords directly into your pre-amplifier, receiver or integrated amplifier.

1. Make sure the DTL-200MK2 and the rest of your stereo system are turned off or disconnected.

On the back of the DTL-200MK2, locate the two sockets marked LINE OUT. They're near the left side of the DTL-200MK2's rear panel when viewed from the back.

2. Connect one end of a white patch cord plug to the top socket on the DTL-200MK2 back; connect the corresponding red patch cord plug to the lower socket.



Now you are ready to connect the Carver Compact Disc Player DTL-200MK2 to the back of your pre-amplifier, integrated amplifier or receiver (referred to from now on simply as "your pre-amplifier")

3. Check the back of your pre-amplifier or consult the owner's manual that came with the unit. There are several possible places to connect the DTL-200MK2.

- a. The most common pre-amplifier inputs are labeled AUX and correspond to the Auxiliary position on the source switch.

- b. Some newer pre-amplifiers have an additional set of input sockets labeled DAD or CD and are intended specially for players like the DTL-200MK2.

- c. If your unit lacks either of these types of input sockets, you may connect the DTL-200MK2 to the TAPE PLAY or TAPE IN inputs. If you already have a cassette deck, use the second set of inputs which are included on most receivers and pre-amplifiers.

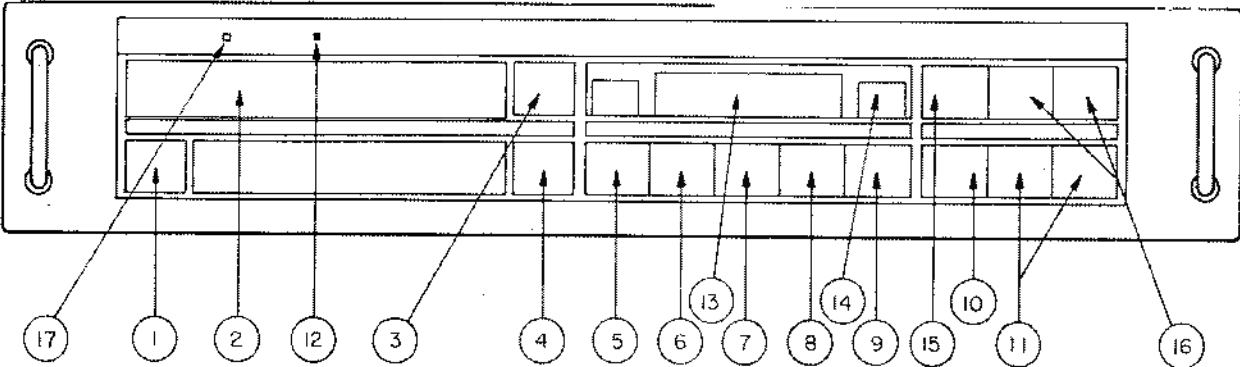
NOTE: DO NOT UNDER ANY CIRCUMSTANCES PLUG THE CARVER DTL-200MK2 INTO PHONO INPUTS, EITHER MOVING COIL OR MOVING MAGNET!

4. When you have decided where you would like to connect the DTL-200MK2 to your pre-amplifier (most likely, AUX), plug the other end of the DTL-200MK2's patch cords in.

Connect the red plug to the RIGHT pre-amplifier input socket and the white plug to the LEFT socket.

Now you are ready to connect the DTL-200MK2 to an AC outlet.

5. You may plug the Carver Compact Disc Player directly into a wall plug or into a convenience power outlet on your pre-amplifier. The DTL-200MK2 is rated at 16.5 watts which is well within the limits of most pre-amplifiers including those made by Carver Corporation. Consult your owner's manual if you are in doubt.



GETTING TO KNOW YOUR CARVER COMPACT DISC PLAYER

Here's a quick overview of the versatile controls on your new Carver DTL-200MK2. Complete instructions for operation will follow later in the manual.

- 1. POWER**
Push to turn ON the DTL-200MK2.
- 2. DISC TRAY**
This is where you put the compact discs. The tray works like a drawer, moving in and out as you activate the OPEN/CLOSE button.

NOTE: The tray will also close by itself if you push it in lightly. Keep it closed when you're not using the DTL-200MK2 to keep the laser pick-up clean and protected.

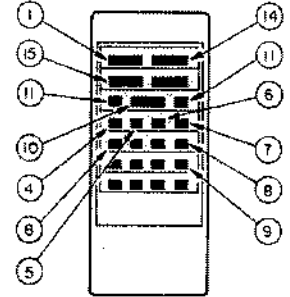
- 3. OPEN/CLOSE**
Pressing this button slides the disc tray out. Pressing it again causes the tray to retract back into the DTL-200MK2.
- 4. DIGITAL TIME LENS**
The DTL is ON when DTL is illuminated in the display. This is the feature which sets the Carver DTL-200MK2 apart from all other CD players. It is an extremely sophisticated circuit which prevents the loss of sonic front to back depth imaging, as well as the excessive brightness and brittleness audio professionals often associate with compact disc recordings. How and when you use it will depend on your choice of discs, your type of speakers and your own musical taste. We have included an

explanation of why the Digital Time Lens was invented and what it can do for you at the end of this manual.

- 5. REPEAT**
Pressed ONCE, this button activates a REPEAT PLAYBACK cycle of the entire disc or programmed disc selections. Pressing it AGAIN cancels the repeat playback function.
- 6. A—B**
Used to set starting and ending points for programmed playback. Similar to Program Keys (0-9) on the remote, except the points can be anywhere on the disc, not just at the beginning of a selection. Using this feature automatically engages the REPEAT feature.
- 7. TIME REMAINING**
When pressed, the multi-function Display panel shows Remaining Time in mm:ss of the entire disc.
- 8. PROGRAM**
This button is part of the Carver Compact Disc Player DTL-200MK2's sophisticated programming playback system and is used when setting the selection order. A detailed description of its function is presented later in this manual.
- 9. CANCEL**
Press stop, then press CANCEL. The LED displays 1∞ and the entire programming is canceled.
- 10. PAUSE/STOP**
This is a dual purpose button.
Pressing it ONCE during playback temporarily interrupts operation. You might think of it as a cueing lever on a turntable, since it does not move the laser pick-up to another section of the disc.

Pressing the PAUSE/STOP button AGAIN (twice) moves the internal laser pick-up back to the beginning of the first selection on the disc. It is analogous to the "reject" lever on many turntables which returns the tonearm past the beginning of a record.

Remember:
Push ONCE for PAUSE.
Push TWICE for STOP.



While pressing PAUSE/STOP twice *does* reset the laser playback unit, the DTL-200MK2 is still turned on. You must press the POWER button to turn the unit completely off.

- 11. <<REV and >> FWD**
These correspond to the reverse and fast forward buttons on a tape deck and move the laser pick-up ahead or back through the music.
- 12. TIME DOMAIN CORRECTION**
The LED, when lit, indicates that the time correction feature is activated. The high speed complex 25 bit digital calculation eliminates most imperfections. The TIME DOMAIN CORRECTION with its 121st order finite-impulse response filter yields a frequency response within .001 of a db of flat and limits distortions to no greater than .007%.
- 13. MULTI-FUNCTION DISPLAY**
This LED display panel helps you keep track of functions.
 - a. The large LED section displays various messages
 - b. Track No., Elapsed Time and Remain Time LED's explain the numbers displayed on the LED panel.
 - c. Music Repeat signals that this feature is in operation.
 These are explained later.

Two or three different displays can be presented on the multi-function display by pressing this button. They occur in repeating order when in PLAY mode.

(ELAPSED TIME) (M:SS) (TRACK NO.)

When in PAUSE:

(TRACK NO.) (ELAPSED TIME)

When in STOP:

(ELAPSED TIME) (TOTAL TIME)

14. REMOTE SENSOR

This is used to receive signals from the remote control. The remote control unit can be used up to 15 feet from your CD player, and must be aimed in the CD player's direction.

15. PLAY

Disc play begins when pressed.

16. SKIP (-) and (+)

Digital disc technology also allows you to move forward or back. When pressed once the MINUS (-) moves back to the start of the current track. When pressed twice, it moves back to the previous selection. The PLUS (+) moves ahead through the tracks or "bands". Both can be used with the PAUSE and PLAY buttons. This is covered in more detail later.

17. DISC ERROR

The Disc Error indicator lamp will strobe whenever the error correction circuitry of your DTL-200MK2 operates in response to a disc defect. If a disc should have too many errors, or is defective, the error lamp will strobe rapidly and continuously, and the machine will reject the disc or may momentarily mute.

PLAYING A CD DISC WITH THE CARVER COMPACT DISC PLAYER DTL-200MK2

Now you are ready to enjoy the amazing sonic clarity of compact discs.

1. Press the DTL-200MK2's POWER BUTTON. You'll see the word "DISC" flashing on the large LED display.

2. Press the OPEN/CLOSE button. The tray will slide out.

3. Remove a compact disc from its case and place it LABEL SIDE UP in the disc tray. While compact discs are much less prone to wear and tear than records, you should still be careful with your CD's, gently grasping them on the edges only. (see HANDLING CD DISCS section at the end of this manual)

4. Press the OPEN/CLOSE button again. The tray will retract and, after about three seconds, the multi-function display will switch to TRACK.

The DTL-200MK2 is now in the playback standby mode awaiting further instructions from you.

NOTE: IF THE LED DISPLAY FLASHES "DISC", AFTER THE DISC TRAY HAS RETRACTED, YOU HAVE PUT THE DISC IN UPSIDE DOWN OR THERE IS FOREIGN MATTER LODGED IN THE TRAY ALONG WITH THE COMPACT DISC.

5. If you press the TIME REMAINING button, the REMAINING TIME LED lights and the display will read out the TOTAL TIME LEFT ON THE ENTIRE CD. This is especially handy when getting ready to make tape recordings.

6. To begin enjoying digital sound, simply press PLAY.

If nothing happens or the music sounds strange at this point, consult the "Troubleshooting" section.

A PLAYBACK SHORTCUT. If you're familiar with a compact disc and don't need to know the number of selections and playback time, you can simply PRESS PLAY AFTER PLACING THE DISC IN THE DISC TRAY. Your Carver Compact Disc Player DTL-200MK2 will take over, retracting the disc tray and beginning play automatically.

TO PAUSE during play, simply press the PAUSE/STOP button ONCE. Playback will stop at that point on the disc. Press PLAY to resume playback.

TO STOP play at any time, simply touch the PAUSE/STOP button twice. Then press OPEN/CLOSE and the compact disc will slide out on the disc tray.

FAST FORWARD and REVERSE are used just as you would on a cassette deck. For the first three seconds, these operations are carried out at low speed which allows you to back-up or advance just slightly. After three seconds, the operations switch to a high speed which moves fairly rapidly through the music.

During these operations, you will still be able to hear the music at 1/4 volume but speeded up. If you don't want to listen, activate the FAST FORWARD or REVERSE after touching the PAUSE button. Now the operations will be carried out in silence.

The FAST FORWARD and REVERSE buttons can also be used for indexing which is covered later.

MUSIC SEARCH WITH THE CARVER DTL-200MK2

The (-) and (+) keys allow you to move forward or back to the exact beginning of a selection, or move quickly ahead or back without going through all the intervening music.

To move ahead one selection when in PLAY, press (+) ONCE. You will notice that the LED display will now present the TRACK of the next song.

To move ahead more than one selection, HOLD DOWN the (+) key. You will see the selection numbers count up on the LED display.

The (-) button works the same way to move you back through one or more selections. You can also use the (-) and (+) music search keys in conjunction with PAUSE/STOP, as well as play.

	(-)	(+)
PAUSE and	places the laser pick-up at the beginning of the current selection.	places the laser pick-up at the beginning of the next selection or farther if the (+) button is held down.
PLAY and	immediately plays the beginning of the current selection.	immediately begins playing the next or succeeding selections.

If the (+) button is held down long enough, the DTL-200MK2 will, of course, reach the last selection. It will not go beyond the beginning of the last song on the compact disc, however, and will begin playing that selection rather than proceeding to the very end of the disc.

REMOTE CONTROL UNIT

Load the AA batteries as follows:

1. Slide back panel to open position.
2. Place (two) batteries inside observing (+) and (-) polarities.
3. Replace back panel.

PROGRAMMED PLAYBACK, REPEAT AND INDEXING WITH THE CARVER DTL-200MK2

The Carver Compact Disc Player allows you great versatility in the order in which you listen to selections on a compact disc. You can skip selections you don't wish to hear, make up a new order or repeat a favorite more than once.

These operations are carried out using the PROGRAM key in conjunction with the (-), (+), FAST FORWARD, REVERSE and REPEAT buttons.

A. PROGRAMMED PLAYBACK.

This feature allows you to hear selections in any order desired with up to twelve different songs programmed at one time. Between each programmed selection, the DTL-200MK2 will insert a three second pause before continuing.

1. Set the unit to STOP (playback standby mode)
2. Press the PROGRAM button. The LED display will display "P 1" Prog.. Now you are ready to program in your first selection.
3. Use the (+) or (-) keys to move to the desired selection. Use the Remote Control unit's (0-9) program buttons. You will see its number preceding the "P 1" on the LED display.
4. When you have located your first programmed selection, press the PROGRAM button again. You will see the LED display change to "P 2". You are now ready to pick a second selection using the (-) and (+) buttons.
5. After you have selected each song, press PROGRAM again to move on to the next of up to nine selections in any order. You may also repeat a selection as part of the order.
6. When you have finished programming the selection order, press PROGRAM again. The LED display will read TRACK "P 1". You can check the total length of your newly programmed order by touching TIME REMAINING.

TO PLAY BACK A PROGRAM IN ORDER, simply press PLAY. If you wish to advance or back-up, remember that the (-) and (+) keys will now be treating your new order as the sequence in which it advances or backs up. For example, if you had programmed a disc to play selections 3, 5, 6, 7, and 8 on a compact disc, the (-) button would not take you any closer to the beginning of the CD than selection 3. Likewise, the (+) button would stop at the beginning of selection 8. FAST FORWARD, REVERSE can take you out of program sequence, but the next selection will be back in program order.

THE REMOTE CONTROL UNIT'S (0-9) button allows you to play any track on the disc. Playback returns to the program after the (0-9) track has been played.

TO CHANGE A PROGRAM ORDER, first press STOP. Then go into PROGRAM as in the previous instruction and "step" through using the sequence to find the ones you want to change. When you find a program that you want to change, use the same procedure as when initially programming. To end your "reprogramming", just press PROGRAM again.

CANCELLING A PROGRAMMED ORDER. Naturally, you don't want the same order on the next compact disc you play. The DTL-200MK2 takes care of this when you press the OPEN/CLOSE button. As the tray slides out, the program order is cancelled. By pressing STOP then CANCEL, the entire program is cancelled.

B. REPEAT PLAYBACK.

This function lets you repeat a whole compact disc or just certain selections using the programming feature.

TO REPEAT A CD FROM BEGINNING TO END,

1. Press the REPEAT button. The corresponding LED will light in the multi-function display. As long as this light is on, the CD will play again and again.
2. To cancel the repeat function at any time while in PLAY, simply press REPEAT again. The LED will go out indicating that repeat playback has been cancelled.

TO REPEAT ONE OR MORE SELECTIONS, just follow the instructions for PROGRAMMED ORDER; except this time, enter the same selection when programming. You could repeat the same song up to twelve times or different songs more than once up to a total of twelve times.

C. A ↔ B SPECIFIC PHRASE REPEAT

The A ↔ B key is used to repeat a passage on a compact disc that does not start at the beginning of a selection or on an index mark.

1. Press the PLAY key to start the playback of the disc or specific track.
 2. When the disc reaches the beginning of the passage you wish to REPEAT press the A ↔ B key one. The A ↔ B indicator will start to flash, the REPEAT indicator will light, and the disc will continue playing. That point on the disc will be set as the beginning of the repeat passage.
 3. When the disc reaches the end of the passage you wish to REPEAT press the A ↔ B key again. Both the A ↔ B indicator and the REPEAT indicator will stay lit. That point on the disc will be set as the end of the repeat passage.
 4. The set passage will continue to repeat until you press the repeat button, at which time both the REPEAT and the A ↔ B indicators will go out while the disc continues to PLAY.
- To change the position of the repeat passage, press the A ↔ B key again to reset the beginning of the passage. This method will work only if the new passage begins somewhere within the repeat passage. If the new passage does not begin within the repeat passage, you must first press the REPEAT ON/OFF key to stop repeat playback. Then set the repeat passage as mentioned before.

D. INDEX SEARCH.

A compact disc can hold an impressive amount of music. While this makes it an excellent medium for classical music, it also makes (+) and (-) selection feature less useful in some cases.

For example, a three-movement symphony would only display three selections, or just

ONE if the movements blend into each other without a pause. The developers of the CD took this into account and devised a way to further subdivide selections into INDEXES. If a compact disc has been "indexed" it will be noted in the program booklet which came with the CD. Consult the index listing to determine the significance and placement of each index segment.

E. TO SEARCH THROUGH A SELECTION'S INDEXES,

1. Place the DTL-200MK2 in STOP (playback standby mode)
2. Select the track number.
3. Search for the index using the FAST FORWARD and REVERSE buttons. The INDEX LED will light up, indicating the presence of each successive index and the LED read-out will display the TRACK first, then the INDEX number. For example, index three on TRACK two would be displayed as " 2 3 "
4. When you reach the index you are seeking, press PLAY. Playback will begin from the point where the index was programmed onto the disc by its manufacturers.
5. To stop playback, press PAUSE/STOP otherwise playback will continue past the index mark until the end of the disc.
6. Index selection numbers will be displayed even if the Index Search function is used with discs that do not have Index markers. When PLAY is initiated, however, it will start from the beginning of the Track already selected.
7. If an index number is selected that is greater than the number of actual index markers on the disc, PLAY will begin from the final Index marker on the disc.
8. In some cases, playback may begin slightly before the index mark.

NOTE: Indexing cannot be used with programmed playback.

ABOUT DIGITAL RECORDING AND CD's

Digital recording is a relatively new method of storing sound impulses and didn't become a commercial reality until the late 1970's. It is based on computer technology rather than electronics and magnetism as is the older analog method of recording.

Analog recording converts sound impulses into varying amounts of electrical energy, which is then used to magnetize a tape to varying degrees. The more musical impulses in a given passage of music, the more magnetism is imparted to that part of a tape as it goes past the recording head.

The trouble has always been the physical limitations of tape. It simply has a finite limit to how much energy it can record. That limit may very well be under the maximum dynamics of a bass drum, a rock band or a symphony in the throes of a Wagner overture.

Thus, recording engineers have had to reduce the overall signal strength to allow "headroom" for unexpected loud passages. This would be fine if tape were completely silent. But there is residual energy even in unrecorded tape which is heard during playback as tape hiss. If a signal is recorded too softly, this hiss becomes apparent. In practice the signal-to-noise ratio is always less than optimal since it has been lowered to allow for loud parts.

Tape is also limited in the frequency range which it can reproduce without distortion.

Corresponding problems occur when the master tape is made into a vinyl recording. It is exceedingly hard to cut record grooves which exactly mirror even the dynamic range and frequency response of the tape recording, much less the original performance. Add additional hiss caused by the surface of the vinyl and the compromises made during production to squeeze more time out of a record and the results are often a far cry from the live performance.

(To the credit of the recording industry, there ARE many excellent analog discs, *some* which are equal to or, according to critics, better than *many* compact discs. They are examples of painstaking skill in every step of the process—and are often much more expensive than compact discs. More on that when we examine Bob Carver's Digital Time Lens.)

Digital recording converts sound into pure information, strings of 1's and 0's which can be recorded perfectly without concern over the limitations of magnetic tape.

A good analogy is a conveyer belt filled with an endless line of fruit baskets, representing magnetic tapes's recording ability. Conventional analog recording fills each basket with "fruit". A small amount for a quiet passage. Heaping full for a loud sound. But what often happens is that there is more "fruit" than the basket can hold. The baskets cannot be made bigger. You can move them past faster so each one holds less, but still, a loud bass drum boom or a massive synthesizer note can exceed the capacity.

Digital recording is like an inspector who counts the fruit that would go into each basket. He writes down a description on a piece of paper and drops it in each basket. Nothing more. Just a precise description. With this approach, it doesn't matter how much "fruit" (music) needs to go in a basket. The inspector (analog to digital converter) can write down that bass drum crash accurately as "4.7 tons of apples" and the description still fits in the basket. He can also write down the EXACT color, size and shape of the fruit, corresponding to digital's ability to record wide frequency response and finer detail.

Our "endless conveyer belt of written descriptions" is now transferred to a compact disc which is imprinted with microscopic pits, representing the individual data bits exactly as recorded.

The Carver Compact Disc Player DTL-200MK2 uses a solid state semiconductor diode laser to illuminate the track of pits on the disc surface. The laser is reflected into a photo-diode which translates the on-and-off light impulses into an electronic signal.

Then special circuitry translates the digital bits back into analog electrical impulses for your amplifier.

The sound you hear will have 1) greater dynamic range, 2) wider frequency response and 3) no tape hiss. And, within reasonable limits, the compact discs are impervious to scratches, dust, dirt, warping and finger prints.

For a more detailed description of digital technology, we suggest many excellent articles in recent stereo magazines as well as specialized publications devoted specifically to digital audio.

THE CARVER DIGITAL TIME LENS

Many professional musicians, audiophiles and audio journalists have praised the quietness, dynamic range and superb frequency response of digital discs—and then expressed a lingering disappointment over how actual commercial examples sounded. The complaint boils down to a lack of ambiance and spacial detail, along with an overly bright, hot-sounding midrange.

When Bob Carver obtained his first compact disc player, he too noticed subtle differences in many compact discs. The three-dimensional perspective which his analog system provided in lush abundance sometimes evaporated into a flat brittle wasteland.

He then purchased no less than 23 CD's and their analog counterparts and set about quantifying the differences. True, the compact discs had better dynamic range and richer,

tighter bass...but testing uncovered two inherent *measurable* flaws:

First, the overall frequency balance had shifted slightly with the CD putting out more energy above 400Hz. Also, the amount of left-minus-right channel information differed by about 1.25 dB.

The left-minus-right (L-R) component of stereo carries the three-dimensional part of sound field information. Even 1.25 dB less produced a noticeable reduction in imaging, spacial positioning and other psychoacoustic factors that put the realism into music.

Bob Carver's Digital Time Lens circuitry adjusts the ratio of L-R back into proportion with the L + R and restores the octave-to-octave balance originally intended by the musician and recording engineer.

It does this by treating the L-R component of the digital disc differently than the L + R. Two equalization curves are necessary to make the disc sound like its analog counterpart. In addition to equalizing the two bands differently, the Digital Time Lens also restores the proper balance by increasing the L-R component back to realistic levels.

Since the equalization curves now differ, the Digital Time Lens corrects for the resulting time arrival difference by delaying the L + R signal. Then the two signals arrive at the next step in the circuitry without time domain errors, yet with corrected equalization and proper L - R/L + R balance.

Which compact discs you choose to use the Digital Time Lens on will vary with your musical tastes and system. In most current discs, the improvement is noticeable. This unique circuit adds the finishing touches of sonic accuracy and realism. It turns an innovation into near musical perfection.

HANDLING COMPACT DISCS

NOTE: The Carver Compact Disc Player has been designed specifically for reproduction of compact discs bearing this label.



No other discs can be played.

While playback is not impaired by small dust particles or slight scratches, larger imperfections can prevent the player from tracking the disc. These mis-trackings can cause the player to skip ahead or emit a small burst of high frequency noise.

The Carver Compact Disc Player DTL-200MK2 uses unusually sophisticated tracking and error correction circuits which will read discs virtually unplayable on some compact disc players. Still, the discs should not be abused or handled carelessly.

GRASP THE DISC only on its edges. Another safe method is to put a finger in the center hole, using the thumb to hold the disc steady.

RETURN COMPACT DISCS to their cases after use to avoid serious scratches which can occur from stacking them, sliding them on rough surfaces or leaving them out in direct sunlight.

TO CLEAN A COMPACT DISC, wipe the surface with a soft cloth, dry or moistened with water. DO NOT use conventional record cleaning products, anti-static sprays or alcohol. Wipe using straight motions from center to outside, as if you were tracing the spokes of a wheel.

TROUBLESHOOTING THE CARVER COMPACT DISC PLAYER DTL-200MK2

Simple measures will correct most of the problems encountered in setting up and operating the DTL-200MK2. If none of these solutions works for you, DO NOT attempt to open or repair the DTL-200MK2. Disconnect the unit's power and patch cords and contact your nearest Carver Service Station.

PROBLEM

SOLUTIONS

POWER FAILS TO TURN ON WHEN POWER BUTTON IS PRESSED

Check to make sure the power plug is securely in its socket.

PLAY BACK DOES NOT BEGIN

Reload the disc with the label side up OR check the disc for excess dirt or foreign matter, OR static discharge may have caused an error in the micro-processor. Simply turn unit off and back on again. If static discharge is a problem in your environment, anti-static spray, available at any computer store, is a good solution. Spray the carpet around your stereo installation and the DTL-200MK2 chassis LIGHTLY. DO NOT SPRAY THE DISC! The disc is manufactured with permanent anti-static plastic.

NO SOUND

Check output cables for proper connection OR Make sure pre-amplifier controls are set properly.

SOUND "SKIPS"

Change location of unit to avoid vibrations, physical shock OR Check condition of disc to detect dirt or deep scratches.

"DISC" FLICKERS IN THE LED DISPLAY

Moisture has condensed on the optical display. Wait 20-30 minutes after turning the DTL-200MK2 on.

"DISC" APPEARS IN DISPLAY BUT PLAY WILL NOT WORK

Compact disc is not providing lead-in information. Check for disc damage. Try another disc that you know works. Return and/or replace the disc as necessary.

HUM

Replace cables or check pre-amplifier.

NOISE IN TUNER OR RECEIVER

Move the DTL-200MK2 farther away from the tuner to eliminate interference.

CARVER COMPACT DISC PLAYER DTL-200MK2 SPECIFICATIONS

FREQUENCY RESPONSE, 5Hz - 20kHz @ 0dB ±0.2

TOTAL HARMONIC DISTORTION @ 1kHz .007%

SIGNAL TO NOISE RATIO 100dB

CHANNEL SEPARATION, 90dB @ 1kHz

DYNAMIC RANGE, 100dB

WOW AND FLUTTER, Unmeasurable

OUTPUT VOLTAGE, 2.0V (F.S.)

POWER CONSUMPTION, 16.5 Watts

CARVER LIMITED WARRANTY

NOTICE: The following warranty information is exclusive to the United States only. Please see your Carver dealer or distributor for the correct warranty information in your area or locale.

Carver Corporation is proud of its products which have been built with care using advanced technology and premium parts. Your unit has been crafted to perform properly for many years. Carver Corporation offers to you, the owner of a new Carver product, the following warranty:

The Carver Corporation Warranty for each of its products is in effect for one year from the date of original retail purchase. The Carver Corporation Warranty covers defects in materials and workmanship. However, the following are excluded: a) damage caused during shipment, b) damage caused by accident, misuse, abuse or operation contrary to instructions specified in the Carver Corporation owner's manual. c) units where the serial number has been defaced, modified or removed. d) damage resulting from modification or attempted repair by any person other than authorized by Carver Corporation.

The Carver Corporation Warranty extends to the original owner or subsequent owner(s) during the one-year warranty period as long as the original dated purchase receipt is presented whenever warranty service is required.

If your Carver Corporation product ever requires service, write to or call Carver Corporation (Attention: Customer Service Department). 20121 48th Ave.W., P.O.Box 1237, Lynnwood, Washington 98036. (206)778-0509. You will be directed to an authorized Carver Corporation Service Station or receive instructions to ship the unit to the factory. Please save the original shipping carton and packing materials in case shipping is required. Please do not ship by Parcel Post. Be sure you have received authorization from Carver Corporation and include a complete description of the problem, the associated components and connections, and a copy of the purchase receipt. Initial shipping costs are not paid by Carver Corporation; return shipping costs will be prepaid if repairs were covered by the scope of this Warranty.

All implied warranties, including warranties or merchantability and fitness for particular purpose, are limited in duration to the one-year length of this warranty, unless otherwise provided by state law.

Carver Corporation's liability is limited to the repair or replacement at our option, of any defective product and shall not, in any event, include property or any other incidental or consequential damages which may result from the failure of this product.

Some states do not allow limitations on how long an implied warranty lasts and/or do not allow the exclusion or limitation of incidental or consequential damages, so the above limitations or exclusions may not apply to you.

This Warranty gives you specific legal rights, and you may also have other rights which vary from state to state. We suggest that you attach your purchase receipt to this Warranty and keep these in a safe place. Thank you for your choice of a Carver Corporation product.

P.O. Box 1237
20121 48th. Ave. W.
Lynnwood, WA 98036, U.S.A.
(206) 778-0509

All contents and artwork
© 1986 Carver Corporation

Specifications and features subject to change
without notice.

Printed in Japan