

# CARVER CORPORATION SERVICE BULLETIN

Service Bulletin # TFM-22-1

Model: TFM-22/24

Serial Nos. As Needed

REASON: To prevent components from discoloring the PCB and to improve circuit reliability.

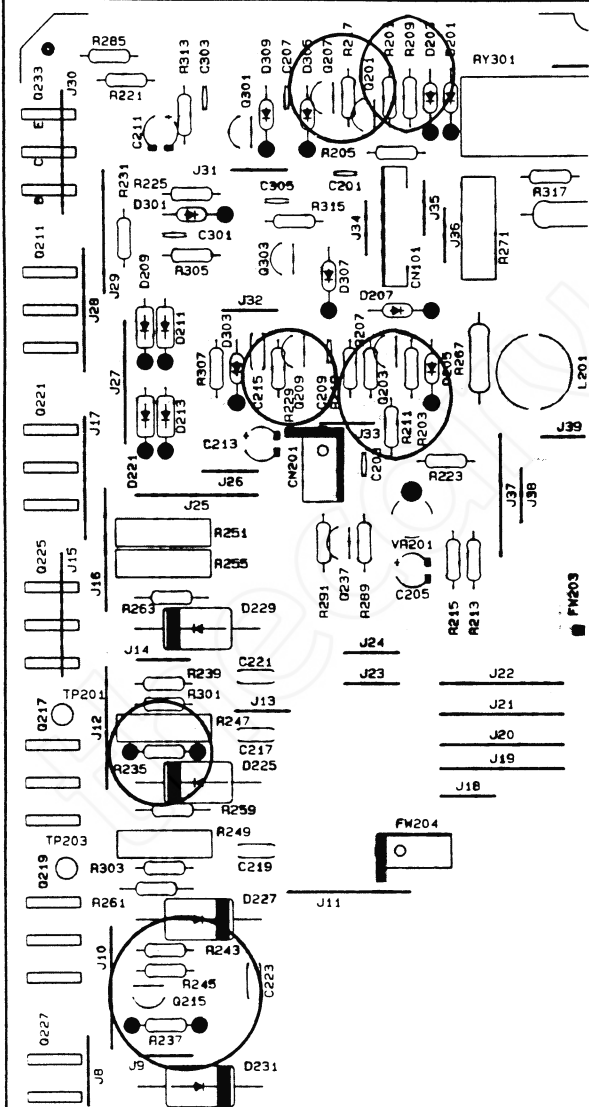
Date: 4/15/92

### DELETE

- Qty 4     43 ohm 1/4W Flame Proof Resistor (R209-212)  
          P/N FR25ST430J-LP
- Qty 2     1kΩ 1/4W Carbon Resistor (R229,230)  
          P/N KA25ST102J
- Qty 2     22 ohm 1/4W Carbon Resistor (R243,244)  
          P/N KA25ST220J
- Qty 2     27 ohm 1/4W Carbon Resistor (R245,246)  
          P/N KA25ST270J

### ADD

- Qty 4     62 ohm 1/4W Flame Proof Resistor (R209-212)  
          P/N RM062-QJT
- Qty 2     1.5kΩ 1/4W Carbon Resistor (R229,230)  
          P/N 251-00074-00
- Qty 2     22 ohm 1/4W Flame Proof Resistor (R243,244)  
          P/N RM022-QJT
- Qty 2     27 ohm 1/4W Flame Proof Resistor (R245,246)  
          P/N RM027-QJT
- Qty 4     2.7kΩ 1/2W Carbon Resistor (R235-238)  
          P/N 251-10080-03



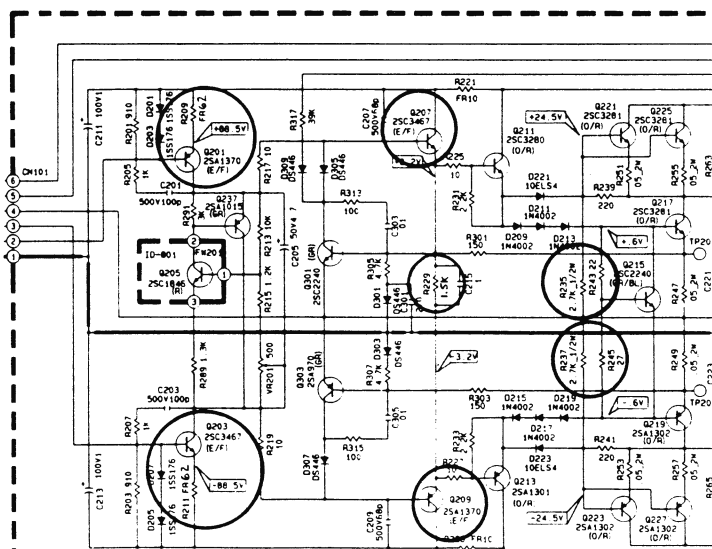
MA-801 Main Amp P.C. Board

## PROCEDURE

If the predriver or driver transistors (Q201-204, Q207-210) have shorted or exhibit signs of discoloring the PC Board:

1. Remove and replace Q201, Q202, Q209, Q210 (P/N 2SA1370-E,F), and remove and replace Q203, Q204, Q207, Q208 (P/N 2SC3467-E,F) with new transistors. Install the new transistors so they are 3/8" to 1/2" above the PCB.
2. Replace R209-R212 43 ohm 1/4W flame proof resistors with 62 ohm 1/4W flame proof resistors.
3. Replace R229, R230 1kΩ 1/4W resistors with 1.5kΩ 1/4W resistors.
4. Replace R243, R244 with 22Ω 1/4W flame proof resistors, and R245, R246 with 27Ω 1/4W flame proof resistors.
5. Verify that R235-R238 are 2.7kΩ 1/2W resistors (some units may have 1/4W resistors).

NOTE: Lift all flame proof resistors 1/8"-1/4" off the PCB before soldering into place. Check idle current; reset if necessary (see Service Manual).



Left Channel Only Shown

Service Approval

*[Signature]* 4/15/92

Engineering Approval

*[Signature]* 4-15-92

# [thecarversite.com](http://thecarversite.com)

This manual is either an original scan from tech's who worked at Carver corp, donated by forum members, or both. These manuals are NOT intended for re-sale. If you purchased a 'Carver Manuals' disc on ebay or another auction site, and it has this material on it, you were ripped off!

Please report any resale of this material to us at [thecarversite.com](http://thecarversite.com)

# [thecarversite.com](http://thecarversite.com)