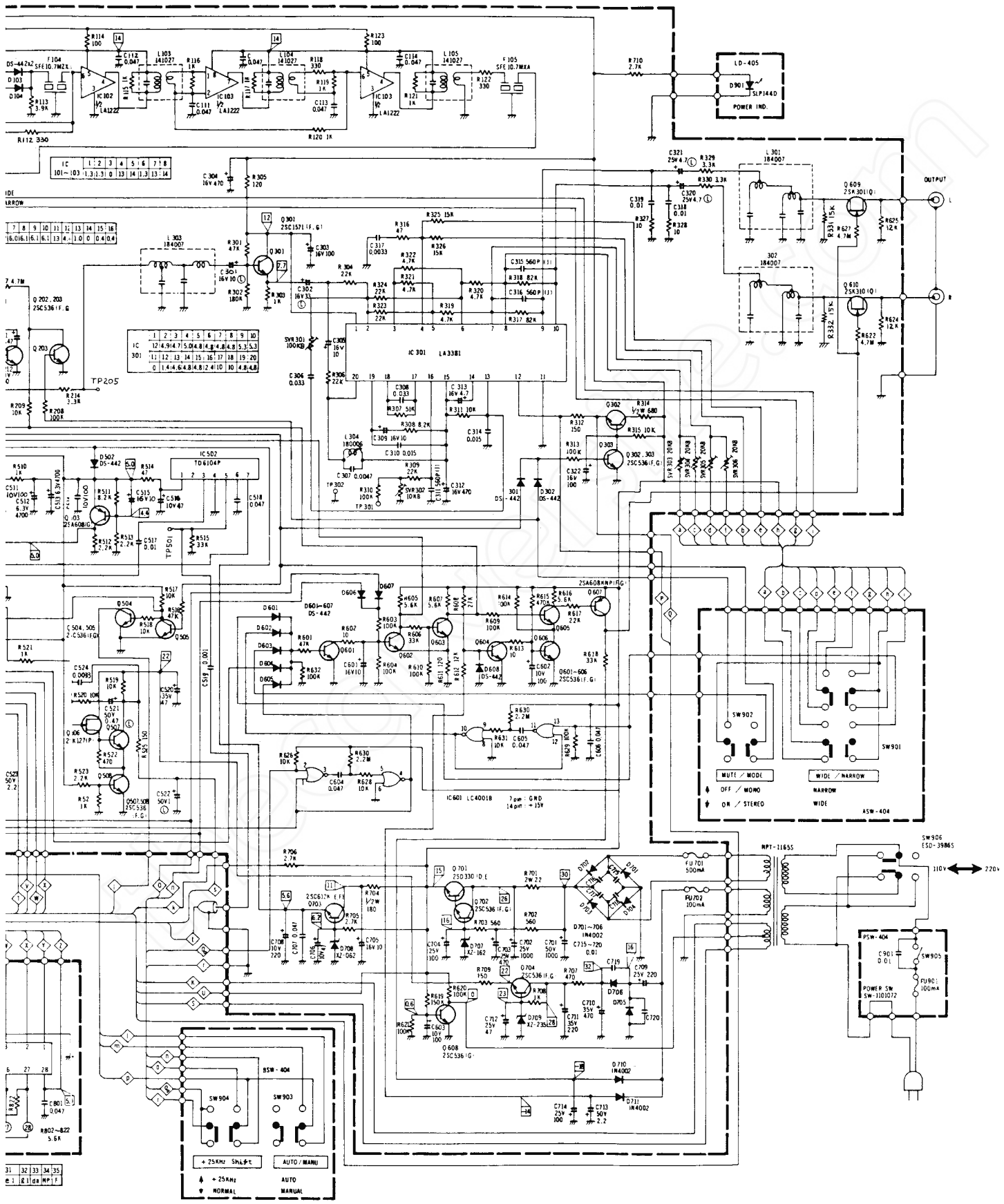


thecarversite.com

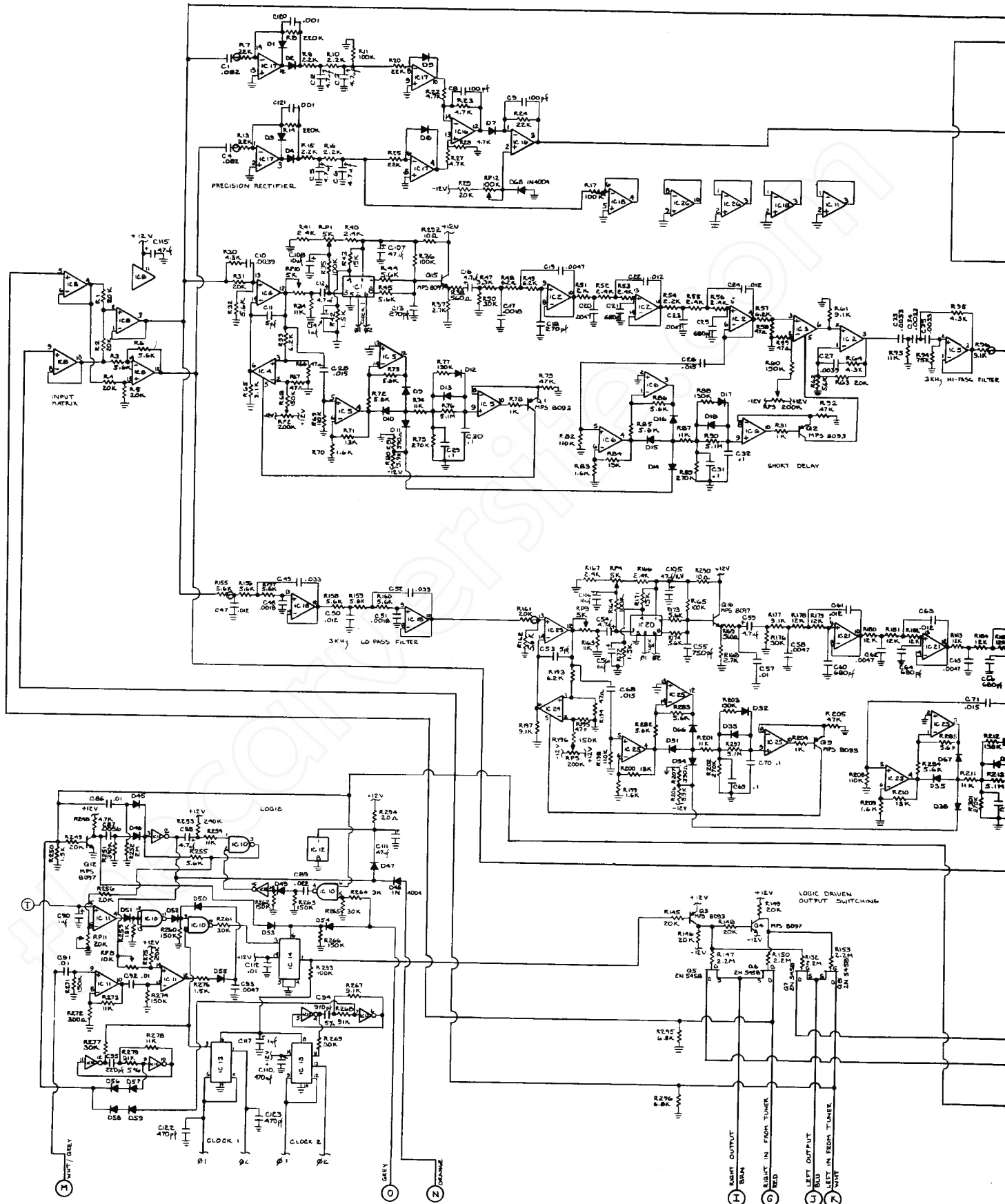
This manual is either an original scan from tech's who worked at Carver corp, donated by forum members, or both. These manuals are NOT intended for re-sale. If you purchased a 'Carver Manuals' disc on ebay or another auction site, and it has this material on it, you were ripped off!

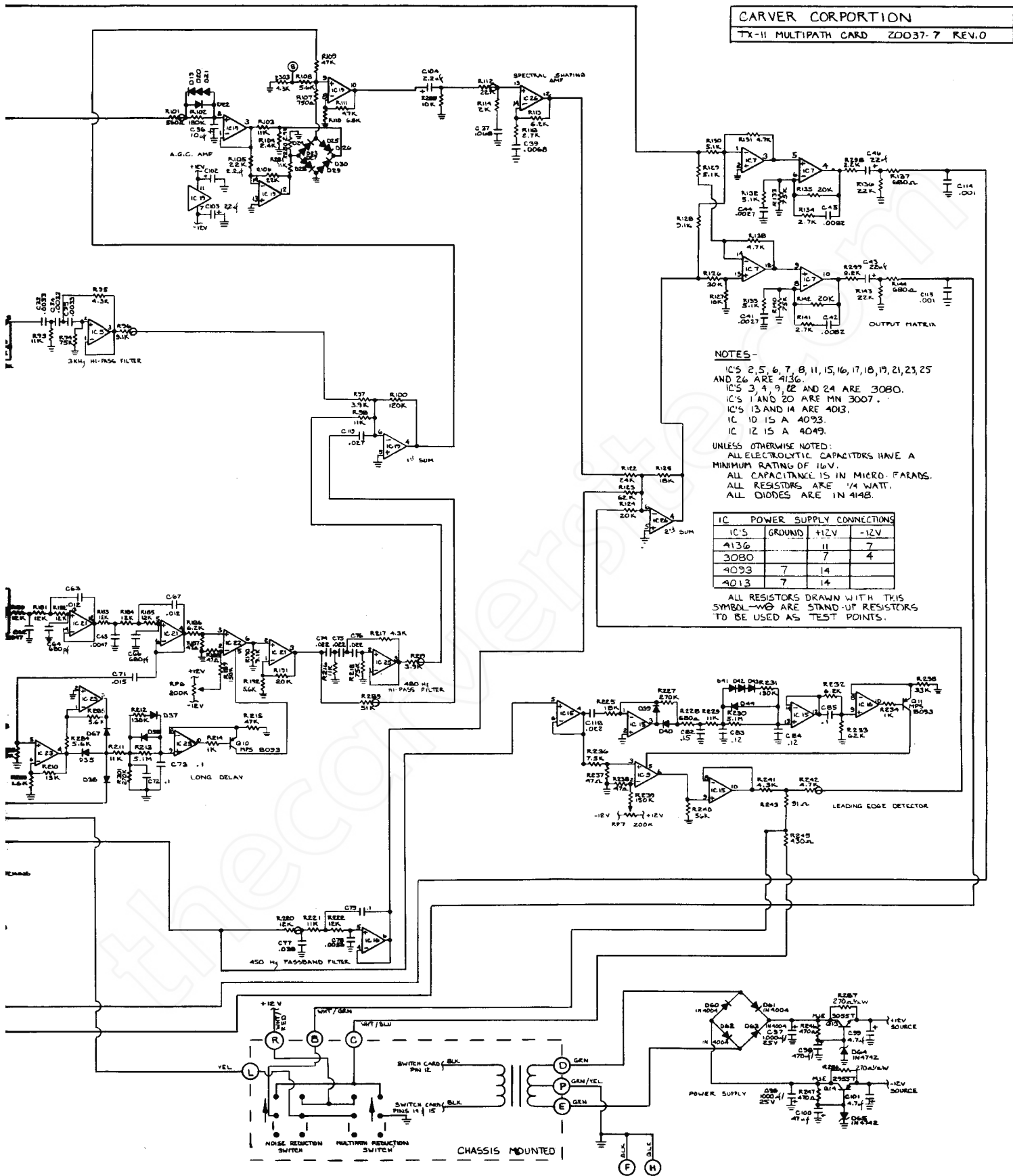
Please report any resale of this material to us at thecarversite.com

thecarversite.com



MULTIPATH CARD

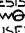




NOTES
 IC'S 2, 5, 6, 7, 8, 11, 15, 16, 17, 18, 19, 21, 23, 25 AND 26 ARE 4136.
 IC'S 3, 4, 9, 22 AND 24 ARE 3080.
 IC'S 1 AND 20 ARE MN 3007.
 IC'S 13 AND 14 ARE 4013.
 IC 10 IS A 4093.
 IC 12 IS A 4049.
 UNLESS OTHERWISE NOTED:
 ALL ELECTROLYTIC CAPACITORS HAVE A MINIMUM RATING OF 16V.
 ALL CAPACITANCE IS IN MICRO-FARADS.
 ALL RESISTORS ARE 1/4 WATT.
 ALL DIODES ARE 1N 4148.

IC POWER SUPPLY CONNECTIONS

IC'S	GROUND	+12V	-12V
4136		11	7
3080		7	4
4093	7	14	
4013	7	14	

ALL RESISTORS DRAWN WITH THIS SYMBOL  ARE STAND-UP RESISTORS TO BE USED AS TEST POINTS.