

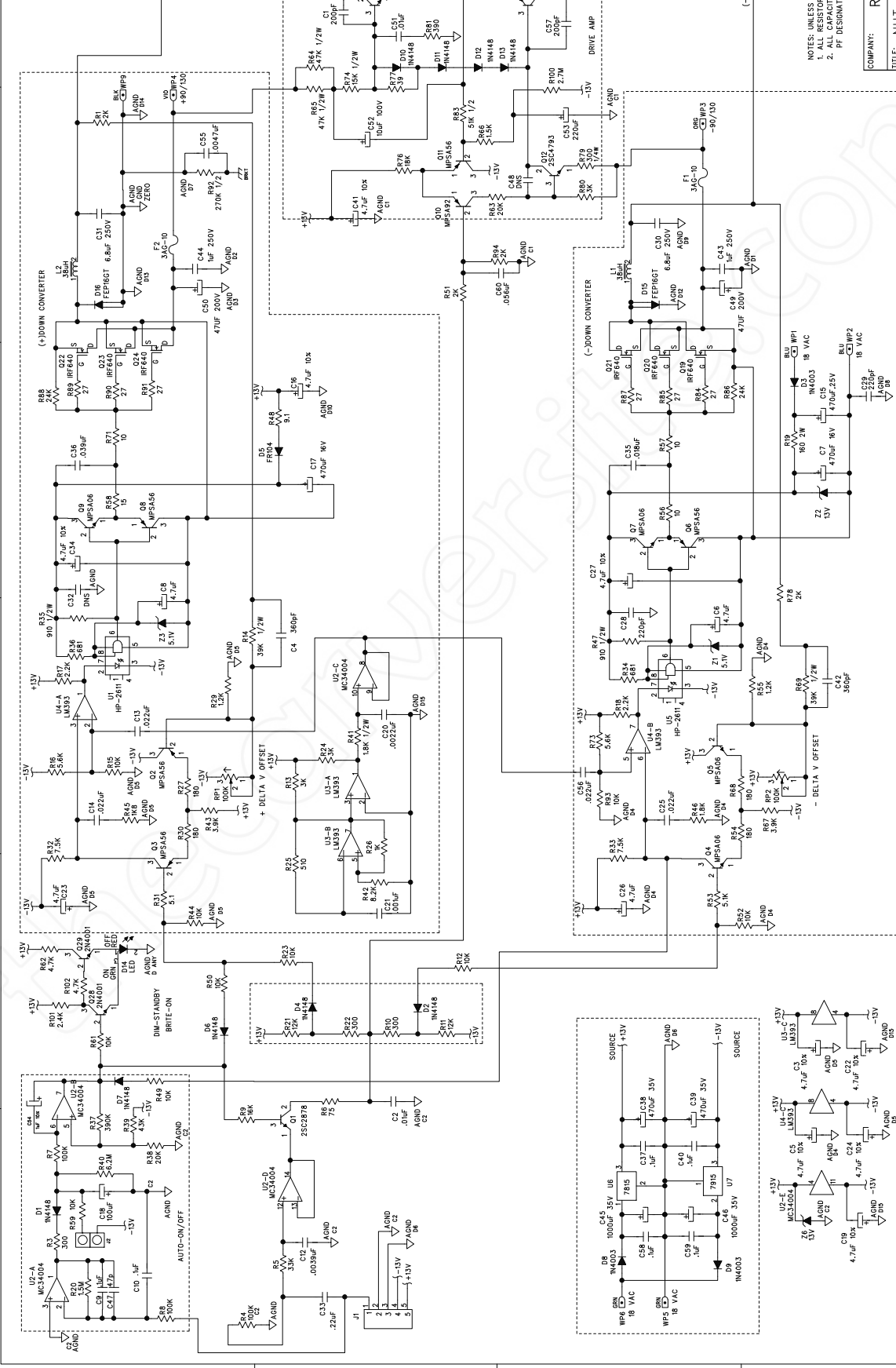
thecarversite.com

This manual is either an original scan from tech's who worked at Carver corp, donated by forum members, or both. These manuals are NOT intended for re-sale. If you purchased a 'Carver Manuals' disc on ebay or another auction site, and it has this material on it, you were ripped off!

Please report any resale of this material to us at thecarversite.com

thecarversite.com

REVISION RECORD	
LT#	DESCRIPTION
1	PROJ. RELEASE
2	VALUE CHANGE
3	CHANGED
4	ADDED
5	CHANGED
6	ADDED
7	ADDED
8	ADDED
9	ADDED
10	ADDED
11	ADDED
12	ADDED
13	ADDED
14	ADDED
15	ADDED
16	ADDED
17	ADDED
18	ADDED
19	ADDED
20	ADDED
21	ADDED
22	ADDED
23	ADDED
24	ADDED
25	ADDED
26	ADDED
27	ADDED
28	ADDED
29	ADDED
30	ADDED
31	ADDED
32	ADDED
33	ADDED
34	ADDED
35	ADDED
36	ADDED
37	ADDED
38	ADDED
39	ADDED
40	ADDED
41	ADDED
42	ADDED
43	ADDED
44	ADDED
45	ADDED
46	ADDED
47	ADDED
48	ADDED
49	ADDED
50	ADDED



NOTES: UNLESS OTHERWISE SPECIFIED:
 1. ALL DIMENSIONS ARE IN MILLIMETERS.
 2. ALL CAPACITORS ARE IN MICROFARADS, 10K, 100V.
 3. PF DESIGNATES PICO FARADS.

COMPANY:	RECOTON HOME AUDIO
TITLE:	NHT SubTwo i AMPLIFIER
SIZE:	500 W
CODE:	D
DRAWING NO.:	EPCB0040
REV.:	F
SCALE:	NONE
SHEET:	1 OF 1

DRAWN:	MURPHY	DATE:	10/1/88
CHECKED:	RB	DATE:	
QUALITY CONTROL:		DATE:	
RELEASED:		DATE:	