

CARVER

M-4120

SCHEMATICS AND LAYOUTS

CARVER CORPORATION
SERVICE BULLETIN

Service Bulletin # M-4120-1

Model M-4120

Serial # as needed

Reason: If the customer complains of blowing the fuse at high output level.

Procedure: Replace the current fuseholder with two of the smaller 30A fuseholders and replace the fuse with two of the 25A ATC fuses.
(Install the fuseholders in parallel.)

Delete: Qty-1 105-40010-00 fuseholder

Add: Qty-2 105-40011-00 fuseholder
Qty-2 315-15001-00 fuse

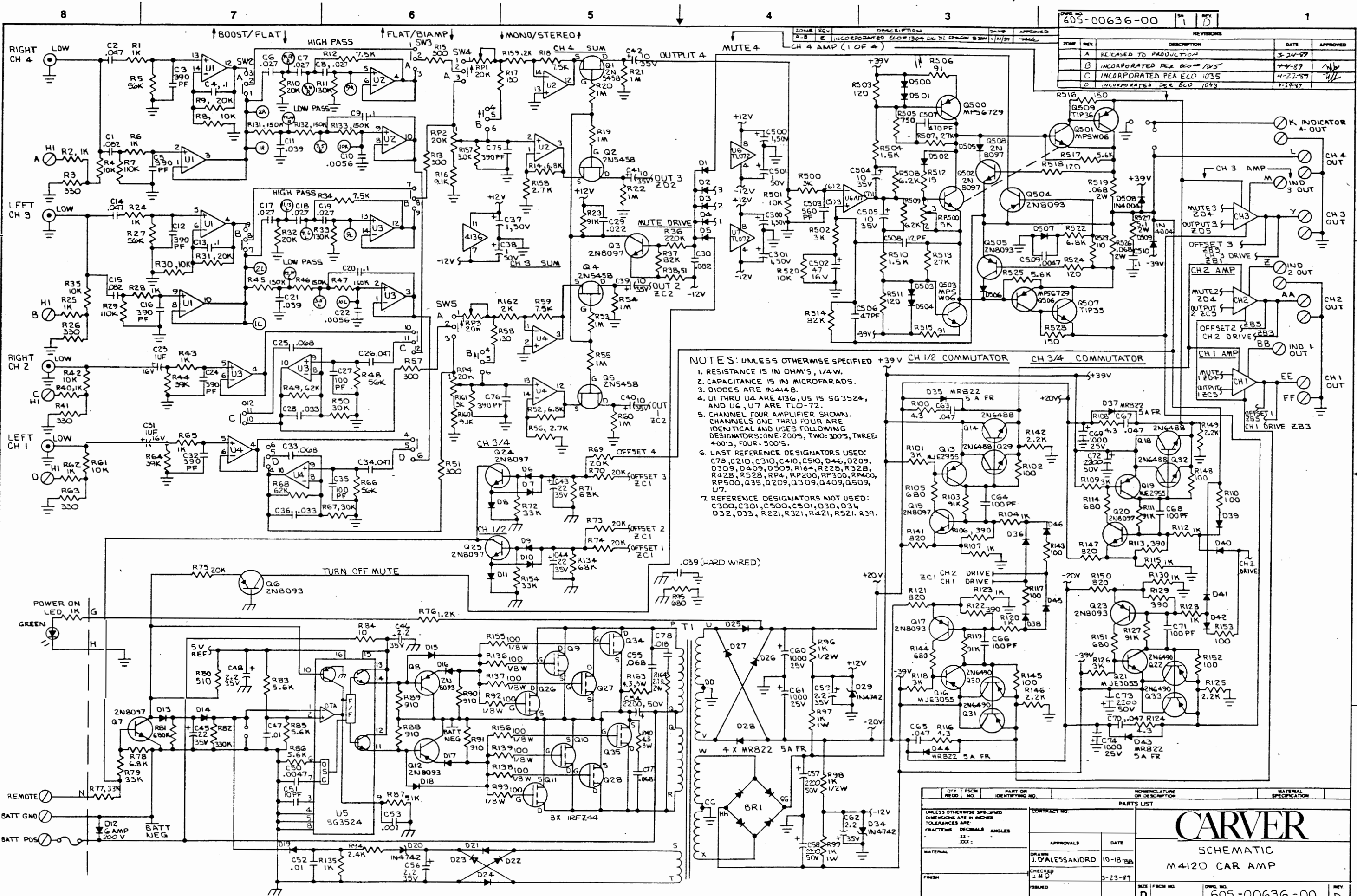
SERVICE APPROVAL

ENGINEERING APPROVAL

Walter Smith
Victor Johnson 2/2/89

DATE

FORM NO. 605-00636-00		REV. 1	REV. D	
ZONE	REV.	DESCRIPTION	DATE	APPROVED
A		RELEASED TO PRODUCTION	3-24-97	
B		INCORPORATED PER ECO 1045	4-4-97	
C		INCORPORATED PER ECO 1043	4-22-97	
D		INCORPORATED PER ECO 1043	4-14-97	



- NOTES: UNLESS OTHERWISE SPECIFIED +39V CH 1/2 COMMUTATOR CH 3/4 COMMUTATOR
1. RESISTANCE IS IN OHMS, 1/4W.
 2. CAPACITANCE IS IN MICROFARADS.
 3. DIODES ARE IN4148.
 4. U1 THRU U4 ARE 4136, U5 IS SG3524, AND U6, U7 ARE TLO-72.
 5. CHANNEL FOUR AMPLIFIER SHOWN. CHANNELS ONE THRU FOUR ARE IDENTICAL AND USES FOLLOWING DESIGNATORS: ONE: 2005, TWO: 3005, THREE: 4003, FOUR: 5005.
 6. LAST REFERENCE DESIGNATORS: C79, C210, C310, C410, C500, D46, D209, D309, D409, D509, R164, R228, R328, R428, R528, RP4, RP200, RP300, RP400, RP500, Q35, Q209, Q309, Q409, Q509, U7.
 7. REFERENCE DESIGNATORS NOT USED: C300, C301, C500, C501, D30, D31, D32, D33, R221, R321, R421, R521, R39.

605-00636-00 SH-1 SCHEMATIC M4120

QTY. REQD.		FCRM. NO.	PART OR IDENTIFYING NO.	NOMENCLATURE OR DESCRIPTION	MATERIAL SPECIFICATION
UNLESS OTHERWISE SPECIFIED DIMENSIONS ARE IN INCHES TOLERANCES ARE FRACTIONS DECIMALS ANGLES XX.XXX					
MATERIAL		APPROVALS		DATE	
FRESH		DRAWN J. VALESSANDRO		10-18-95	
ISSUED		CHECKED J.M.D.		3-23-97	
DO NOT SCALE DRAWING		SCALE		SHEET 1 OF 1	

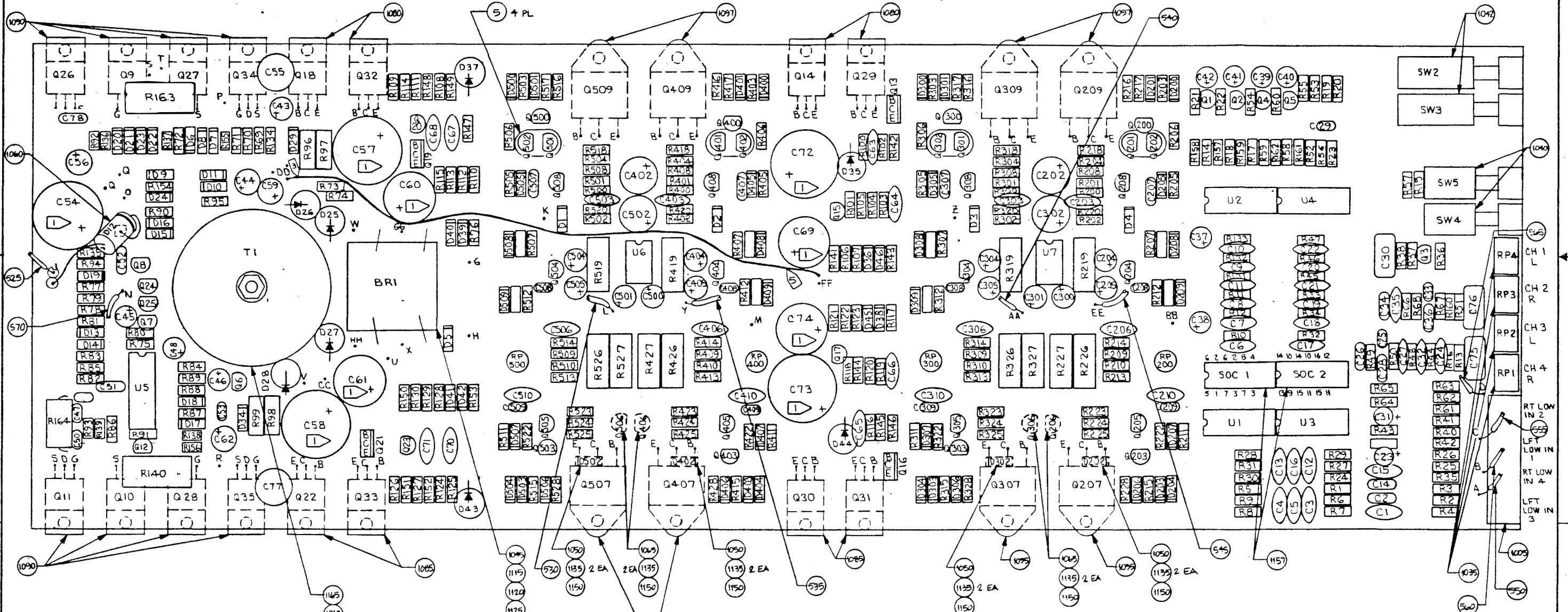
CARVER
SCHEMATIC
M4120 CAR AMP

SIZE / FCRM. NO. DWG. NO. 605-00636-00 REV. D

ZONE	REV	DESCRIPTION	DATE	APPROVED
B	ECO# 912	ORILL & TRIM CHG.	1-12-87	
C		INCORPORATED PER ECO #932	1-23-87	
C-1	C1	ADDED POLARITY TO C23, C31, C39, C40, C41, C42	2-15-89	
B-1	C2	CLARIFIED DWG, ADDED WIRE LIST, & ITEM NUMBERS. INCORP. ECO # 1007	3-23-89	
D7B	C3	CORRECTED WIRE TABLE PER ECO # 1026	4-20-89	
C8	C4	INCORPORATED PER ECO #1047, CHANGED POLARITY OF D12. ADDED MOUNTING PADS FOR D12.	4-28-89	
B-1	C5	CHANGED WHT/BLU 6" TO ORN 6" ON ITEM 505 P/L # 601-00636-00 PER ECO #1065	5-5-89	
D 6	C6	INCORP ECO#1117 CH6. BLU WIRE LENGTH	6-9-89	
	C7	INCORP ELD 1196.	8-22-89	
	G	P/L CHANGE ONLY. CHANGE FROM: C7 TO: G PER NEW CARVER STD'S	11/14/89	
	H	INCORP ELD 1221 & 1214.	12/14/89	
	J	INCORPORATED ECO #1339 P/L CHANGE ONLY	1-19-90	

WIRE TABLE				
ITEM	COLOR	LENGTH	FROM	TO
1153	WHT/RED	6"	LED A	WP-G
	WHT/RED	7"	LED CATH	WP-H
1165			T1-1	WP-P
			T1-2	WP-Q
1165			T1-2	WP-O
1165			T1-3	WP-R
1165			T1-4	WP-T
1165			T1-5	WP-S
1165			T1-6	WP-W
1165			T1-7	WP-CC
1165			T1-8	WP-X
1165			T1-9	WP-U
1165			T1-10	WP-DD
1165			T1-11	WP-V
1003	BLK		FUSE	WP-Q
1115	WHT/ORN	3.0"	BRIDGE AC	WP-X

WIRE TABLE CONT				
ITEM	COLOR	LENGTH	FROM	TO
1120	ORANGE	3.0"	BRIDGE-AC	WP-W
1125	YELLOW	3.0"	BRIDGE-E	WP-HH
1130	WHT/YEL	3.0"	BRIDGE-F	WP-GG
525	GREEN	3.5"	WP-J	3 TERM STRIP-BATT GM
1100	GREEN	7"	WP-DD	WP-FF
1100	BLK	8.5"	WP-DD	7 TERM STRIP-CH 1 (-)
1105	BLK	12"	WP-DD	7 TERM STRIP-CH 3 (-)
530	BRN	11.0"	WP-L	7 TERM STRIP-CH 4 (-)
535	WHT	8.75"	WP-Y	7 TERM STRIP-CH 3 (+)
540	GRN	4.5"	WP-AA	7 TERM STRIP-CH 2 (-)
545	WHT/BRN	6"	WP-EE	7 TERM STRIP-CH 1 (+)
555	WHT	8.5"	WP-C	7 TERM STRIP-HI INP R
560	WHT/RED	7"	WP-B	7 TERM STRIP-HI INP L
565	GRN	8.75"	WP-D	7 TERM STRIP-HI INP CH 1
570	BLUE	2.75"	WP-N	3 TERM STRIP-REMOTE
590	ORN	6"	WP-A	7 TERM STRIP-HI INP R



- ASSEMBLE USING PCB 501-00636-00, REV C.
 - DRESS WLDG TO BOARD & AWAY FROM D25 & D26 (AR822).
 - ALL ITEM N's 1000 AND ABOVE ARE INSTALLED AFTER SOLDER DR.
 - ADD HARDWIRE BETWEEN WP-DD AND WP-FF AS SHOWN.
 - ALL ITEMS ARE ON 602-00636-00 PARTS LIST.
 - USE NICHICON PARTS OR EQUIV. DO NOT USE PACCOM PARTS.
- NOTES: UNLESS OTHERWISE SPECIFIED.

CITY REQ NO.		PART OR IDENTIFYING NO.		NOMENCLATURE OR DESCRIPTION		MATERIAL SPECIFICATION	
UNLESS OTHERWISE SPECIFIED DIMENSIONS ARE IN INCHES TOLERANCES ARE: FRACTIONS DECIMALS ANGLES				CONTRACT NO.			
MATERIAL		APPROVALS		DATE		<h1>CARVER</h1> <p>ASSY, PCB M4-120 CAR AMP</p>	
FINISH		DRAWN		10-6-88			
DO NOT SCALE DRAWING		CHECKED		3-23-89			
SCALE 2:1		ISSUED		DWG NO. 602-00636-00		REV. J	
				SHEET 1 OF 1			

602-00636-00 SW: 1
ASSY PCB M4120

8

7

6

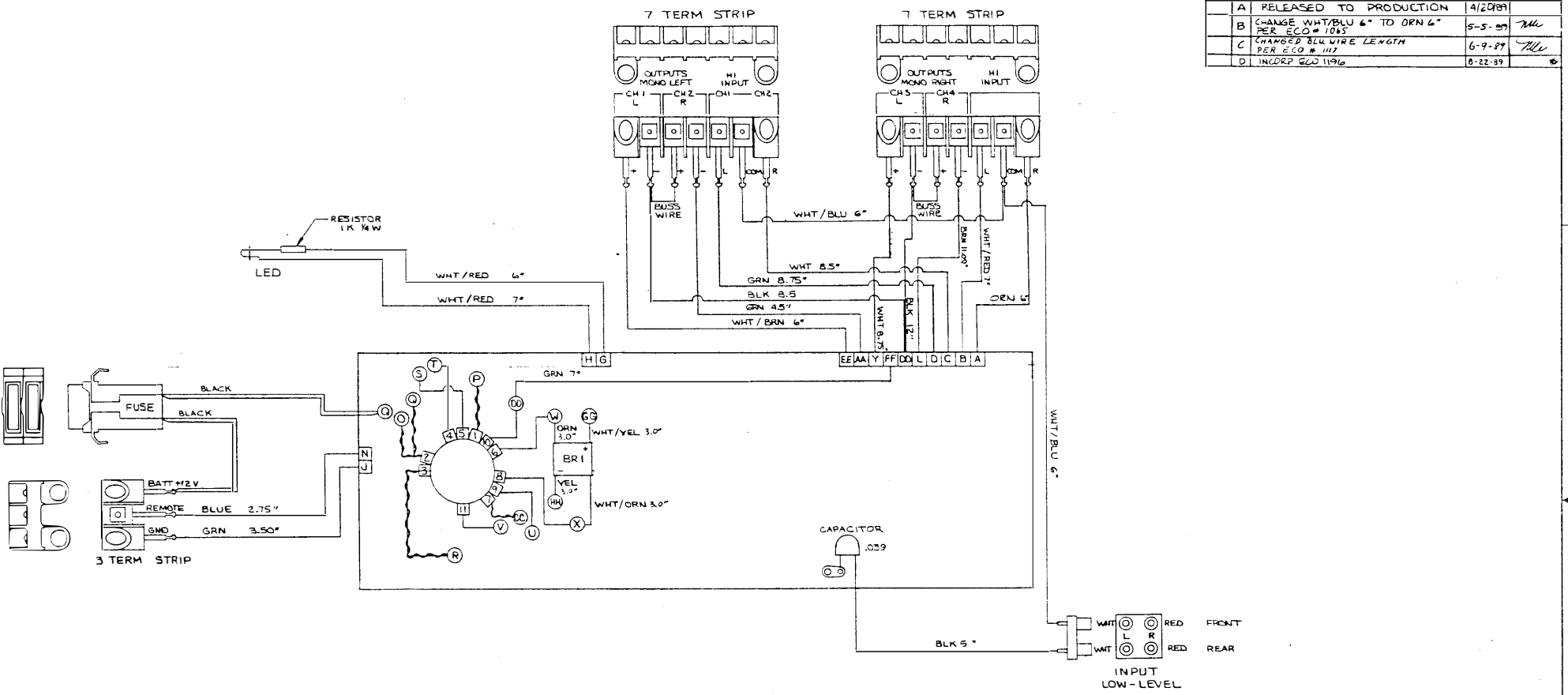
5

4

3

1

DWG. NO.		REV.	REV. D	
606-00005-00		1	D	
REVISIONS				
ZONE	REV.	DESCRIPTION	DATE	APPROVED
A		RELEASED TO PRODUCTION	4/20/89	
B		CHANGE WHT/BLU 6" TO ORN 6" PER ECO # 1085	5-5-89	JMD
C		CHANGED BLU WIRE LENGTH PER ECO # 1117	6-9-89	JMD
D		INCORP ECO 1196	8-22-89	



QTY	FRGM	PART OR IDENTIFYING NO.	NOMENCLATURE OR DESCRIPTION	MATERIAL OR SPECIFICATION
PARTS LIST				
UNLESS OTHERWISE SPECIFIED DIMENSIONS ARE IN INCHES TOLERANCES ARE FRACTIONS DECIMALS ANGLES		CONTRACT NO.		
1/16" = .0625" 1/32" = .03125" 1/64" = .015625"		APPROVALS		
1/8" = .125" 3/16" = .1875" 1/4" = .250" 5/16" = .3125" 3/8" = .375" 1/2" = .500" 5/8" = .625" 3/4" = .750" 7/8" = .875" 1" = 1.000"		DATE		
DO NOT SCALE DRAWING		DRAWN L MCLESKEY 4/18/89		
		CHECKED JMD 4-19-89		
		ISSUED		
		SIZE FRGM NO. DWG. NO. REV.		
		D 606-00005-00 D		
		SCALE NONE SHEET 1 OF 1		

8

7

6

5

4

3

2

1